

- Piezoelectric barometric pressure sensor
- Low power consumption
- Operating pressure 600 ... 1100 hPa (mbar)



Measurement principle and Mounting

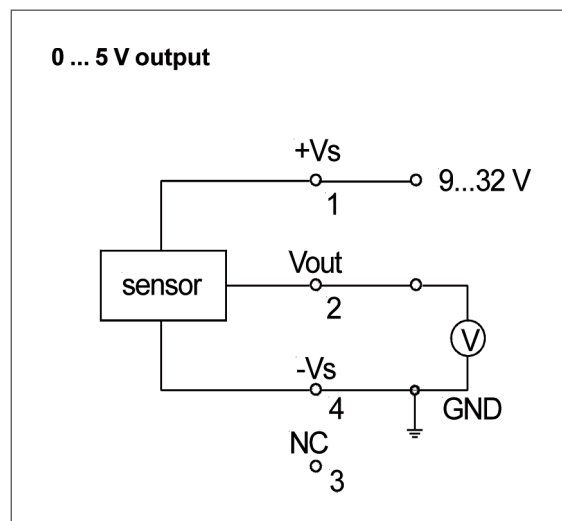
The piezoelectric pressure sensor's signal is electronically amplified to provide an output signal of 0...5 VDC.

The sensor is mounted in a stainless steel housing, protection class IP64 when the connector is plugged in.

The connecting cable is included in delivery. If required it will be ready for connection in an Ammonit steel cabinet.

When mounted outside the central steel cabinet we recommend protective housing with pressure compensation.

In measurement operation the sensor needs an external supply of at least 9 VDC.



Electrical connection

Barometric Pressure Sensor AB 100

S31200
(P6334)

Operating range	
Operating pressure	600...1100 hPa (mbar) (AB 100 is suited for an altitude up to 3700 m)
Temperature operation range	-40 ... 85 °C
Humidity range	0 ... 98 %RH
Electrical data	
Output voltage	0 ... 5 VDC (600 ... 1100 hPa)
Supply voltage	9 ... 32 V
Current consumption	5 mA
Accuracy	
Total accuracy (-10 ... 60 °C)	±1 % FSO* (±5 hPa; FSO is 500 hPa)
Repeatability	±0.2 % FSO
Long term stability	±0.1 % FSO
General	
Dimensions	Length 72 mm, diameter 22 mm
Weight	80 g
Slope	100 hPa/V
Offset	600 hPa
Housing	Stainless steel
Protection class	IP 64 - when connector is plugged in
Vibration (5 ... 500 Hz)	2 gRMS
Mechanical shock	50 g
Atmosphere	non-ionic, non-corrosive

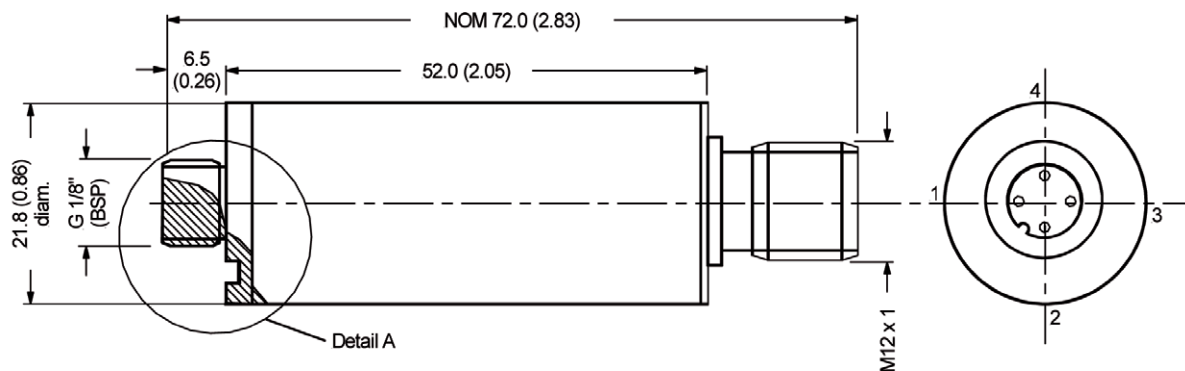
* FSO (Full Scale Output) describes the difference of the upper and the lower limit of the pressure range.

Sensor Connection

Sensor	Plug PIN No.	Wire Colour	Meteo-40 Analog Voltage	Supply Sensor
Air Pressure Output Voltage	2	white	A	
Ground	4	green	B	
Supply	1	brown		9 ... 32 VDC
Ground	4	yellow		Main Ground

Cable LiYCY 4 x 0.25 mm²

Outline Drawing



mass: appr. 80g

dimensions in mm

Last Modification: 2012-01-31