

## Solar Module (200 W / 24 V)

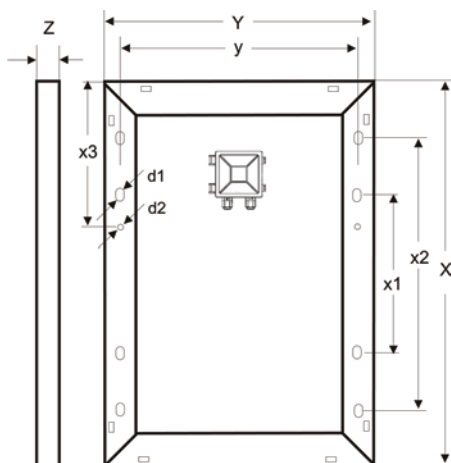
M51201

- Monocrystalline solar module for Ammonit stand-alone power supply systems
- Robust anodized aluminium frame
- Anti-reflective highly transparent, low iron tempered glass



Characteristic	Description / Value
Peak Power (Pmax)	200 W
Weight	5.9 kg (without cable)
Dimensions	1580 x 808 x 40 mm
Maximum power voltage	(Vmp) 35.6 V
Maximum power current	(Imp) 5.2 A
Short circuit current	(Isc) 6.07 A
Open circuit voltage	(Voc) 45.6 V
Operating module temperature	-40 ... +85 °C

### Schematic



Dimensions	
X x Y x Z	1580 x 808 x 40 mm
Mounting hole pitch	
x1 / y / x2	800 / 789 / 1300
Mounting hole Ø	
d1	9 x 14

### Wire Colours

red	+
blue	-

Last Modification: 27 March 2018